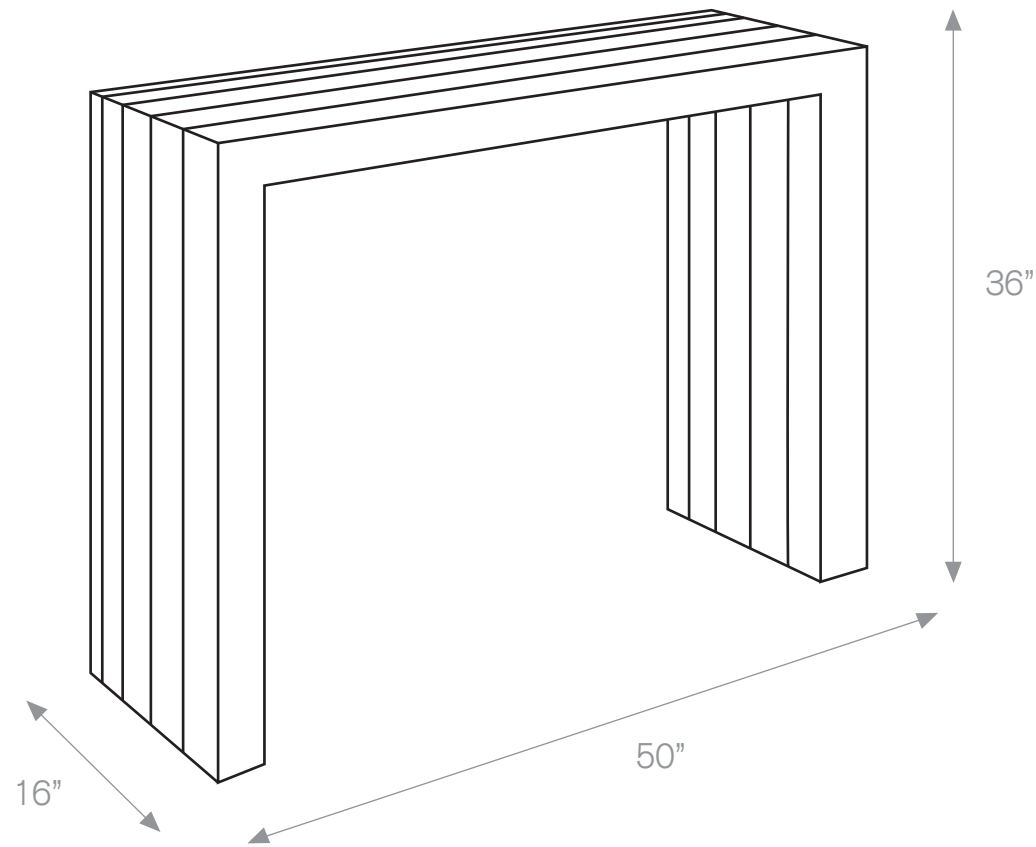


Blue Console



A 6-layer transition console in a poolwater blue gradient. Shifting saturation levels one layer at a time, this console creates the illusion of perpetual motion in different directions depending on where the observer is. Console can face in either direction, depending on the owner's preference.

Year of Design: 2017

Country of Manufacture: Brooklyn, NY, USA

MSRP (\$USD): \$17,000

Materials: Medium Density Fiber-board (MBF), Bio-based Epoxy Resin, Steel

Dimensions: 50" x 16" x 36"

Product Weight: 120lbs

