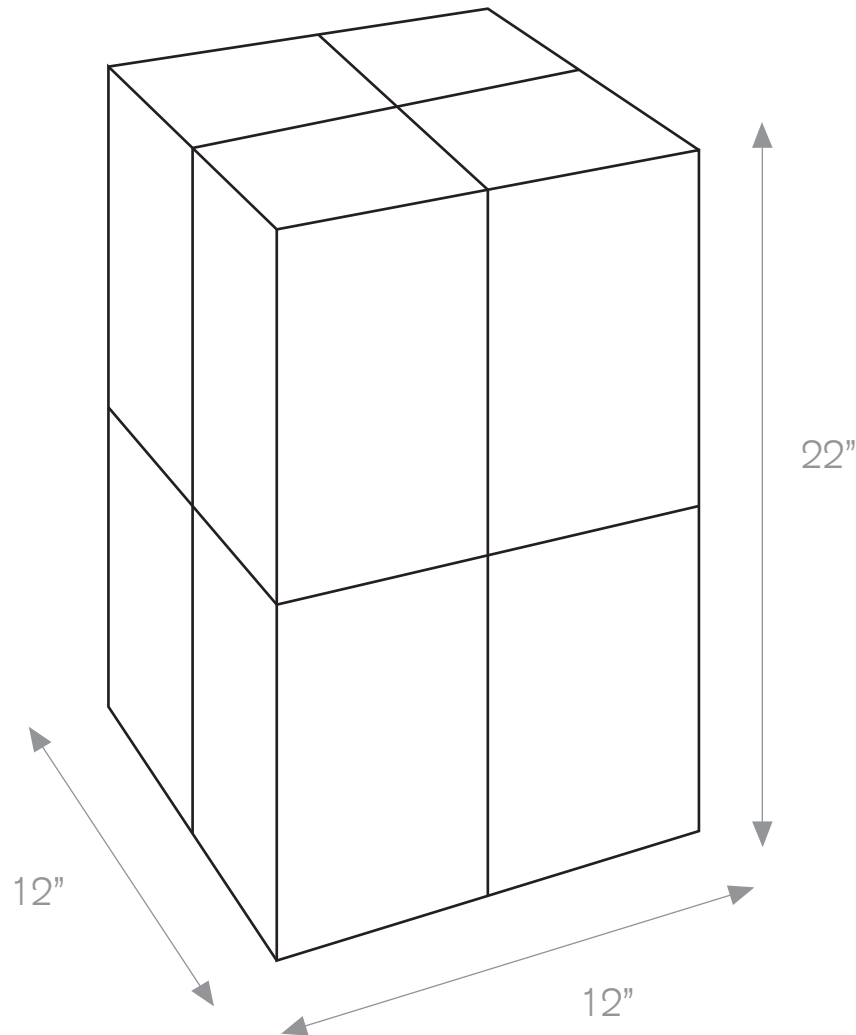


## 4-Way Shift Box

---



Multi-layer side table in single or multi-color options. Utilizing a medley of gradual saturation shifts in different directions, the effects in this piece manage to both guide the eye, yet perplex it simultaneously. The depth effects created instruct the eye to scan its gaze along the various saturation shifts.

---

Year of Design: 2018

Country of Manufacture: Brooklyn, NY, USA

MSRP (\$USD): \$2,600

Materials: Medium Density Fiber-board (MBF), Bio-based Epoxy Resin

Dimensions: 12" x 12" x 22"

Product Weight: 40lbs

