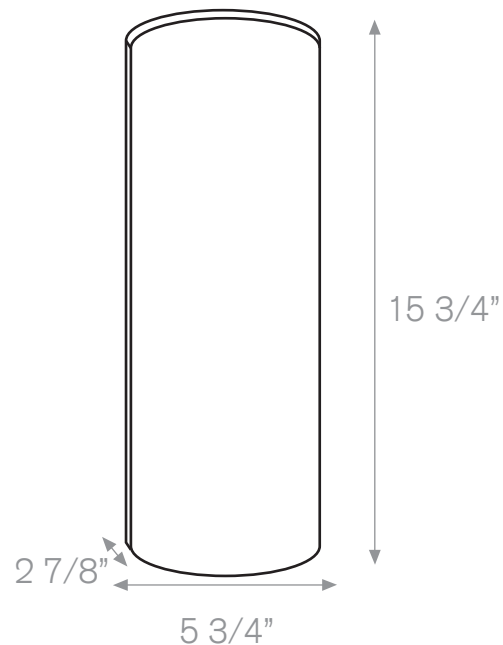


## Wall Sconce

---



Half cylinder-shaped wall sconce in aqua color-way resin with ripple-textured core. This unique wall sconce's wooden core features a specially developed crackle-print which peeks out from under its resin core when illuminated.

---

Year of Design: 2019

Country of Manufacture: Brooklyn, NY, USA

MSRP (\$USD): Set of two - \$3,000 / Single \$1,800

Materials: Medium Density Fiber-board (MBF), Bio-based Epoxy Resin, LED

Dimensions: 2 7/8" x 5 3/4" x 15 3/4"

Product Weight: 5lbs

